

ELECTRICAL DIAGRAMS

SOCCER

KINGS



ZACCARIA[®]

Original document provided by:

URL: <http://www.tilt.it/>

E-mail: wiz@tilt.it
piero@tilt.it

Scans done by:

URL: <http://www.langaas.org/pinball/>

E-mail: thomas@langaas.org

LIST OF ILLUSTRATIONS

- Block diagram
- Assembly drawing - Power wiring
- Layout Diagram } for C.P.U. board
- Layout Diagram } for Interface board
- Layout Diagram } for Power board
- Layout Diagram } for Power board
- Layout Diagram } for Driver & Display boards
- Layout Diagram } for Sound & Speech board
- Layout Diagram } for 1,1/2 Digit Display board
- Diagram for Playfield contacts
- Diagram for Coils
- Diagram for Lamps
- Diagram for Cabinet & Front door wiring
- Diagram for Power Supply

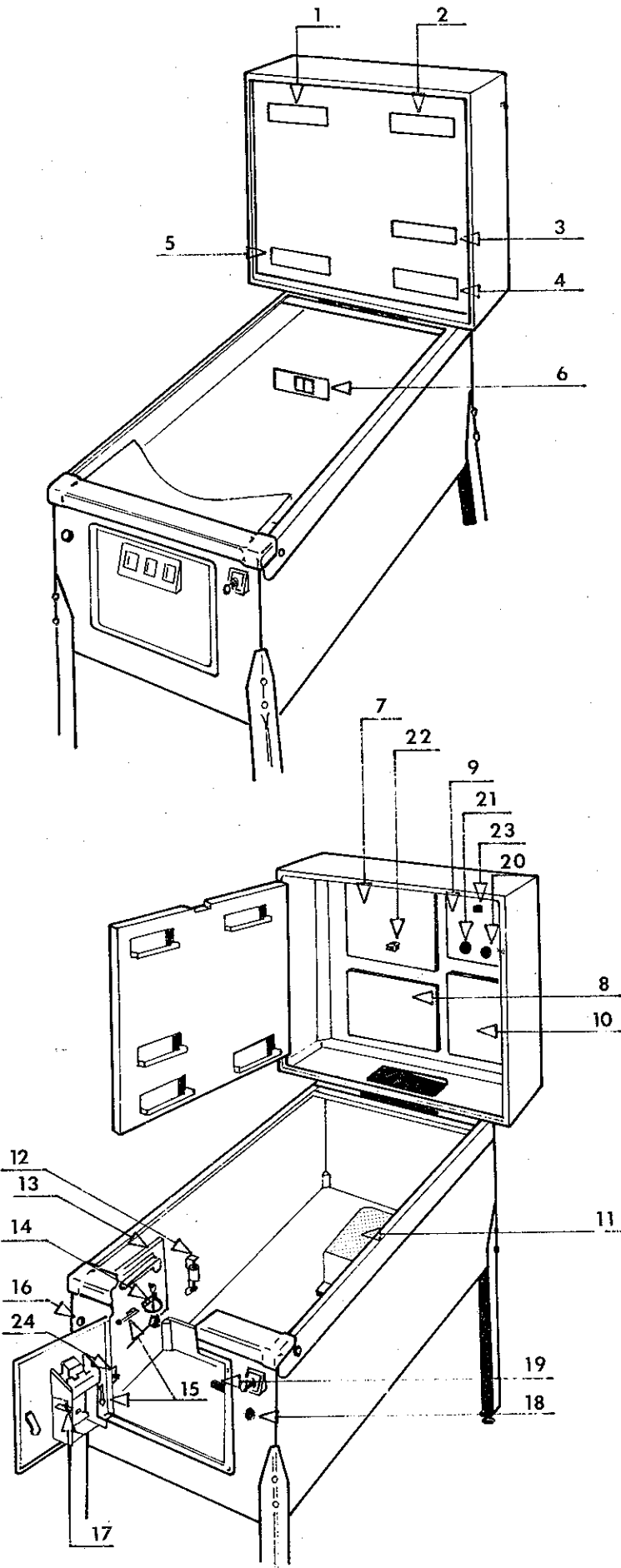
Color code

BLACK	0
BROWN	1
RED	2
ORANGE	3
YELLOW	4
GREEN	5
BLUE	6
VIOLET	7
GREY	8
WHITE	9
PINK	11
LIGHT BLUE	12

Wires cutaway view list

mm ² 0.22	/1
mm ² 0.35	/2
mm ² 0.5	/3
mm ² 0.9	/4
mm ² 1.5	/5

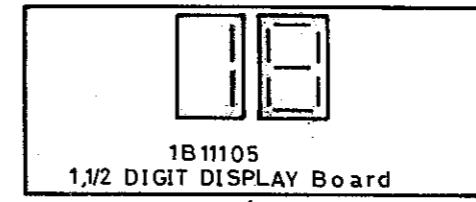
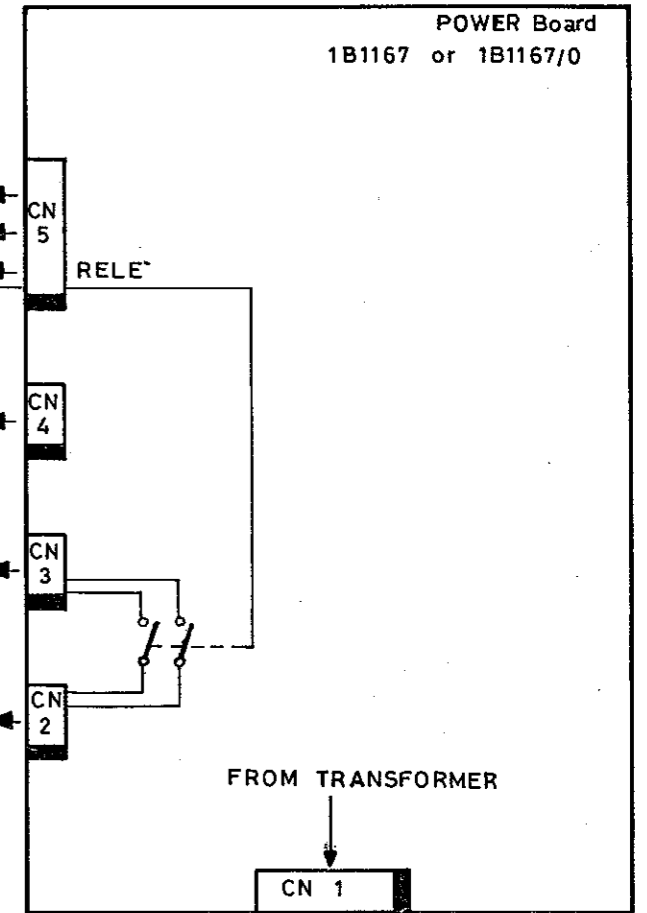
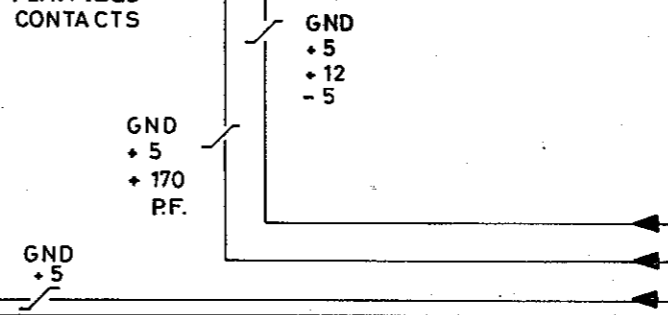
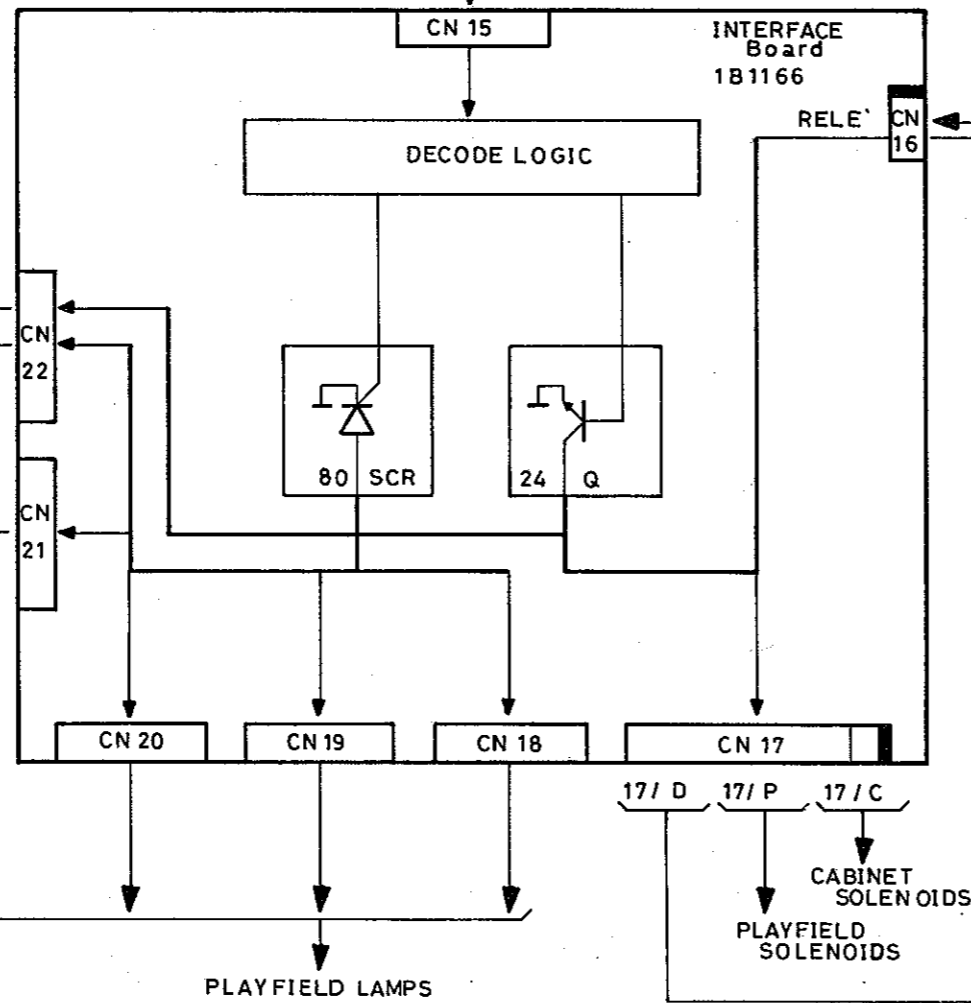
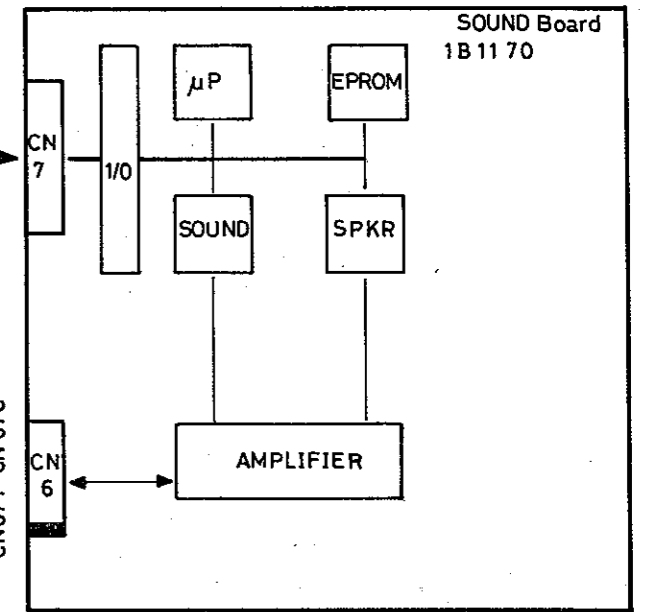
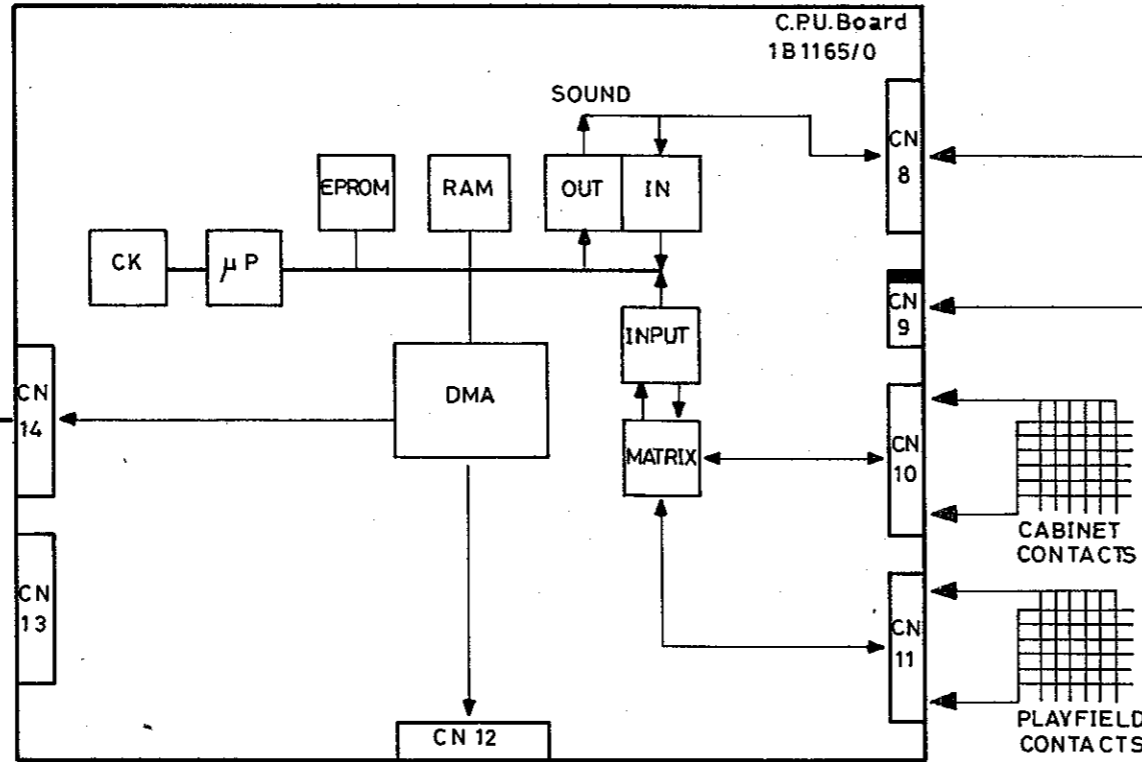
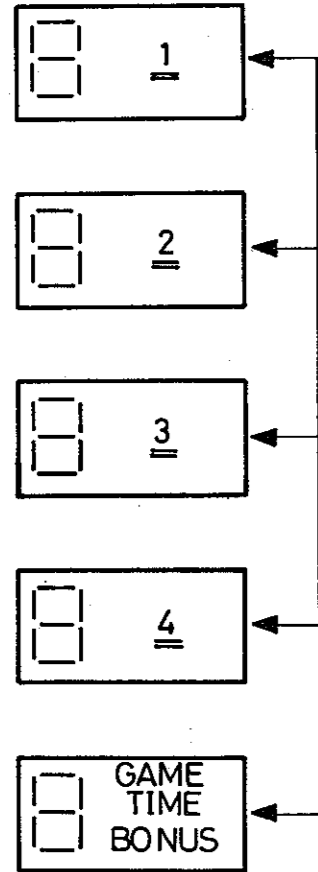
ASSEMBLY DRAWING



- 1 - 1st player display
Highest score display
- 2 - 2nd player display
- 3 - Credit display
Display ball to play
Match
Game time bonus
- 4 - 4th player display
- 5 - 3rd player display
- 6 - 1,1/2 digit display

- 7 - C.P.U. board
- 8 - Interface board
- 9 - Sound board
- 10- Power board
- 11- Transformer
- 12- Knocker
- 13- Roll ball tilt
- 14- Bob tilt
- 15- Antichoc tilt
- 16- Credit button
- 17- Advance & Return test
- 18- Head phone jack
- 19- General vol.
- 20- Maximum speech vol.
- 21- Maximum sound vol.
- 22- Dip SWS
- 23- Sound self-test button
- 24- Service button

DRIVER DISPLAY Boards
1B1168 - 1B1169

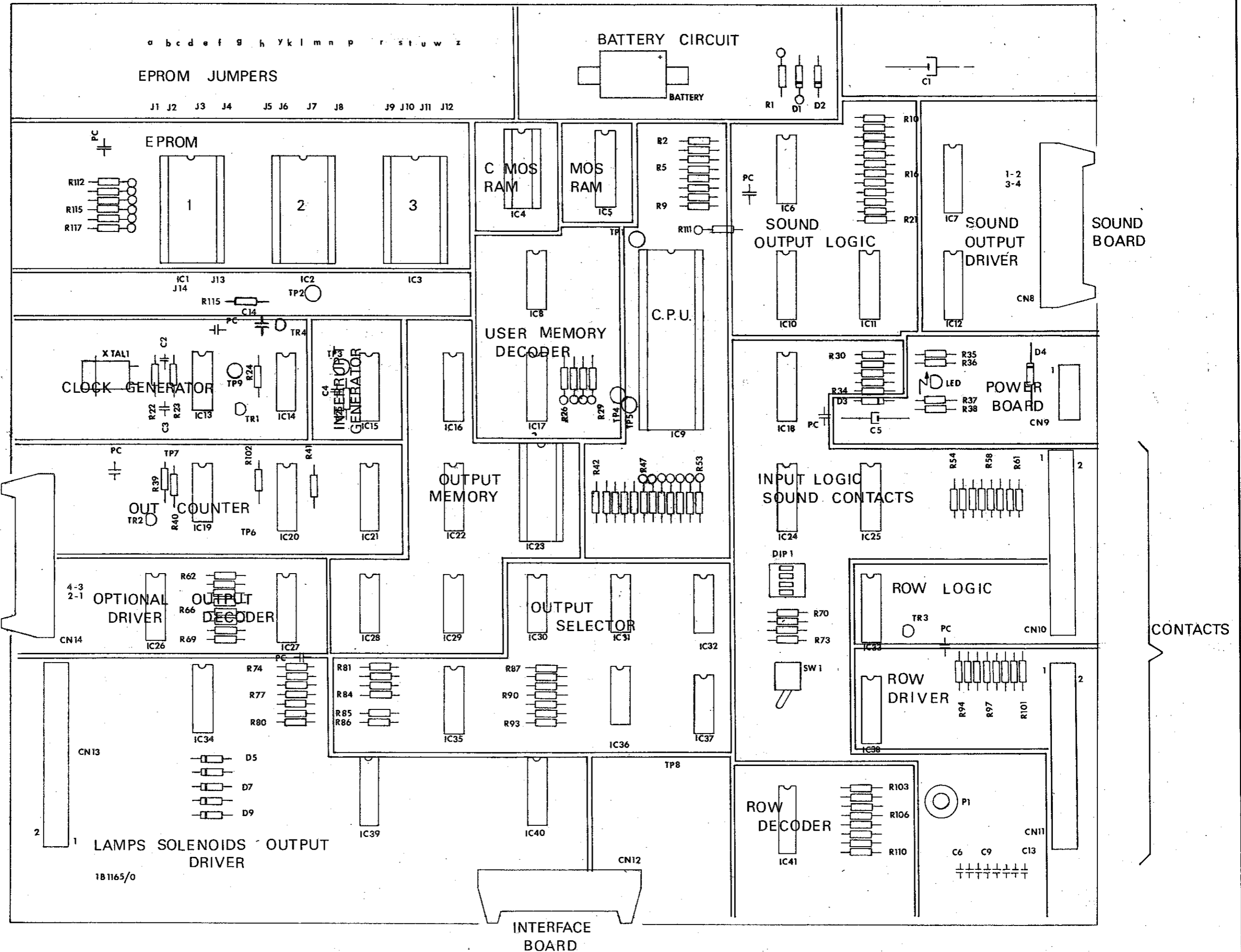


F.LI ZACCARIA s.n.c.
Via Armadori, 15 - 40012 CALDERARA DI RENO (Bo) Italy

PART NAME BLOCK DIAGRAM "SOCCER KINGS"		PART NO.	
DWN. LORU2	DATE 23.8.82	REV.	DATE REV.
NOTES: UNLESS OTHERWISE SPECIFIED 1) ALL RESISTORS VALUES IN _____ 2) ALL CAPACITORS VALUES IN _____			

C.P.U. board

PC.1 B 1165/0



DISPLAY BOARD

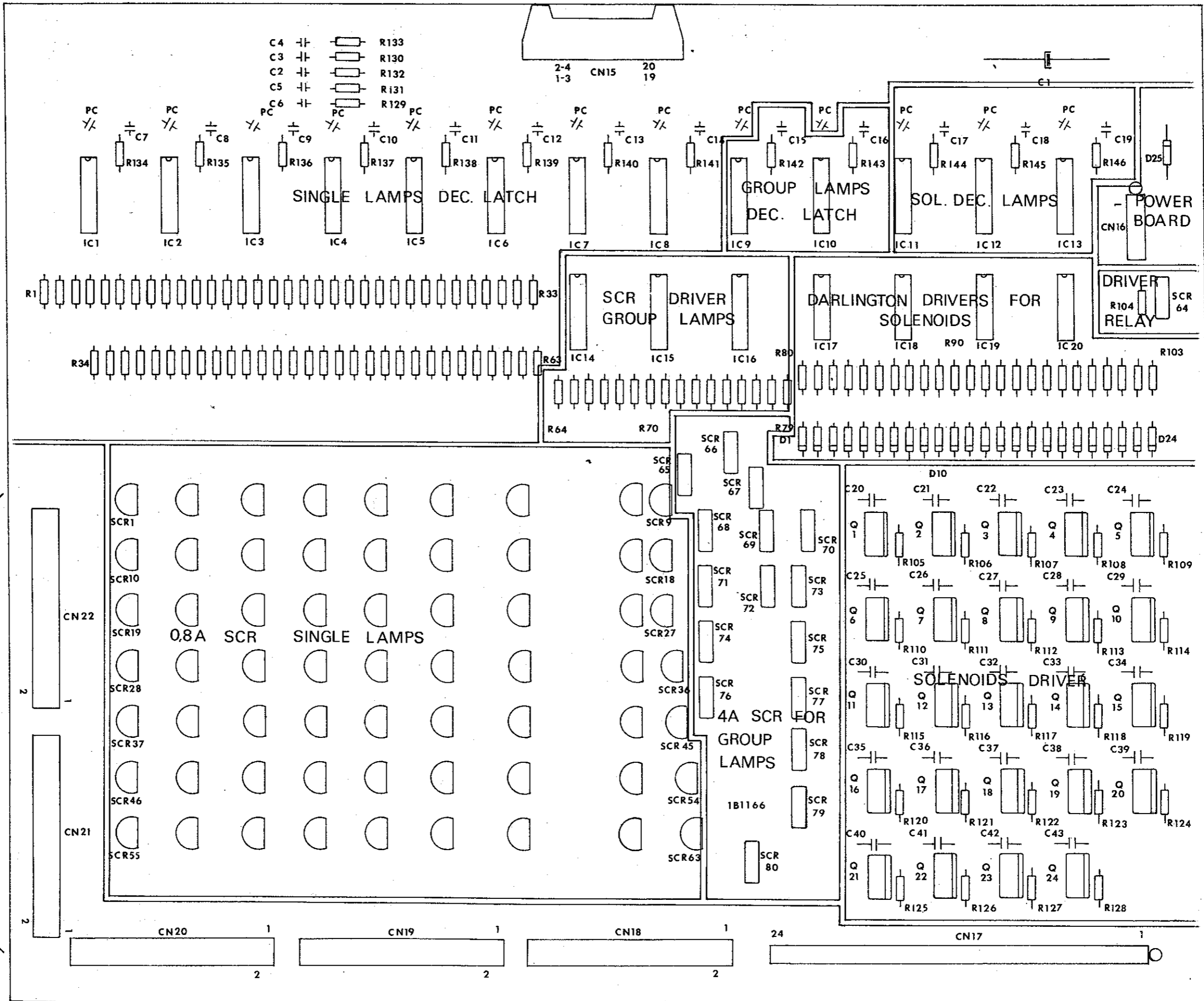
CONTACTS

1B1165/0

INTERFACE board

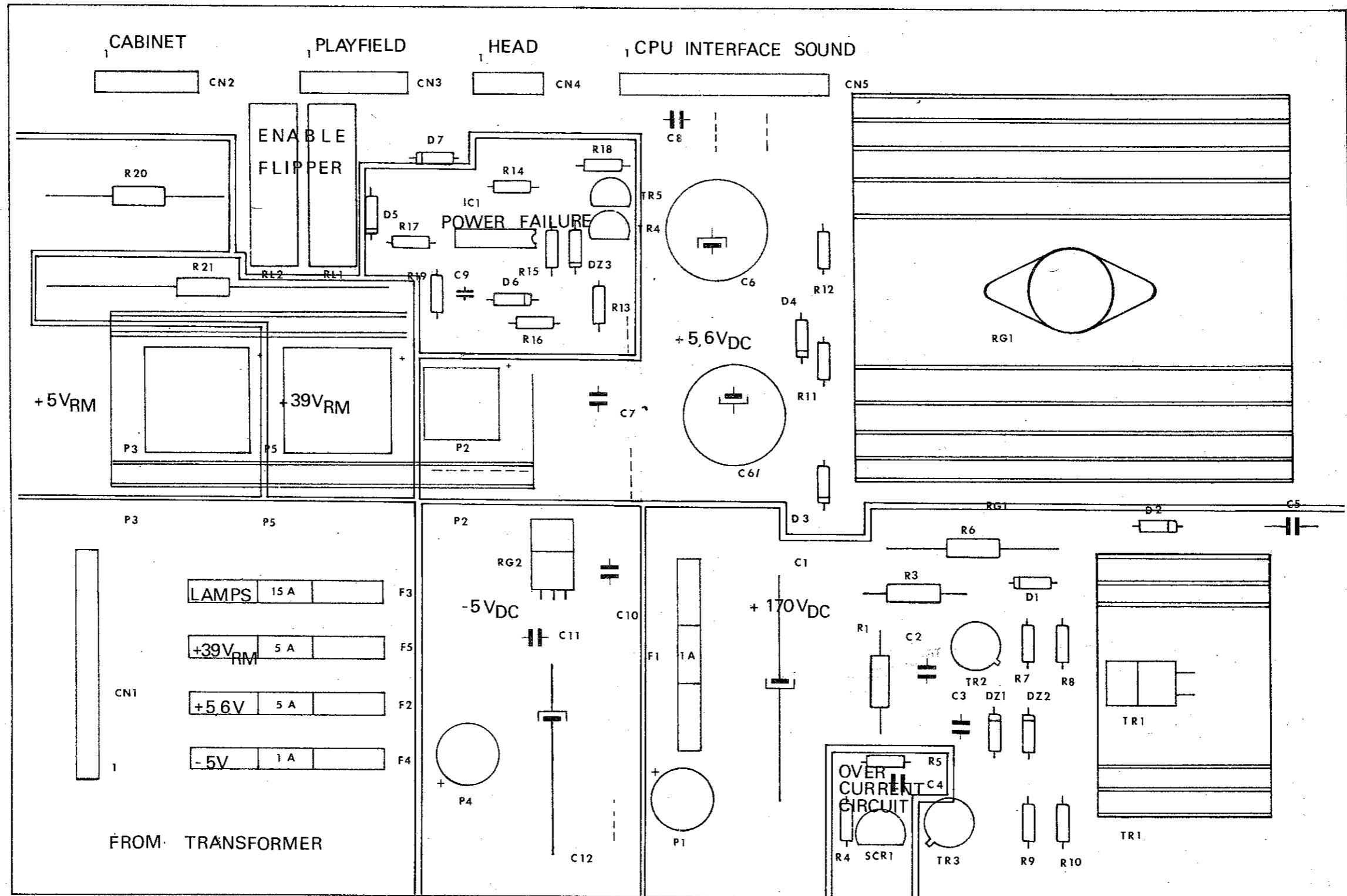
P.C. 1B1166

C.P.U. BOARD

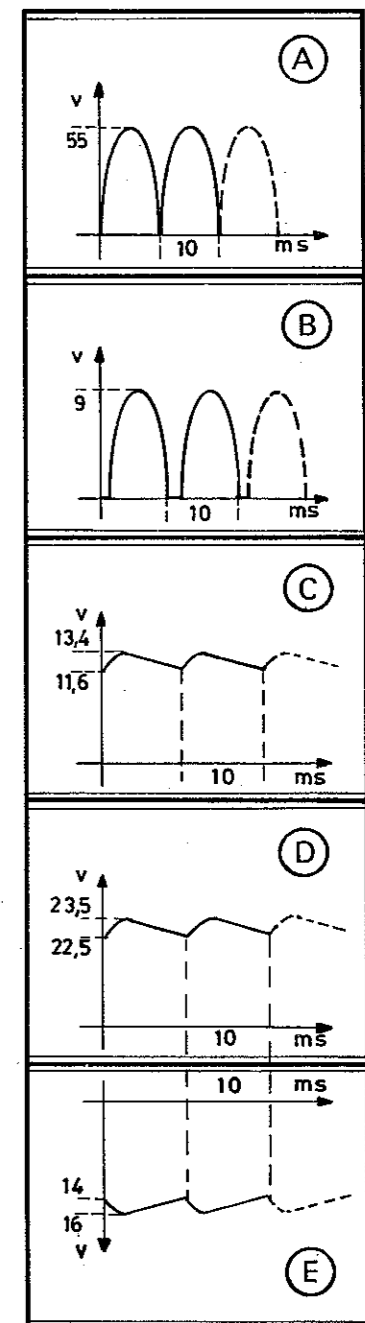
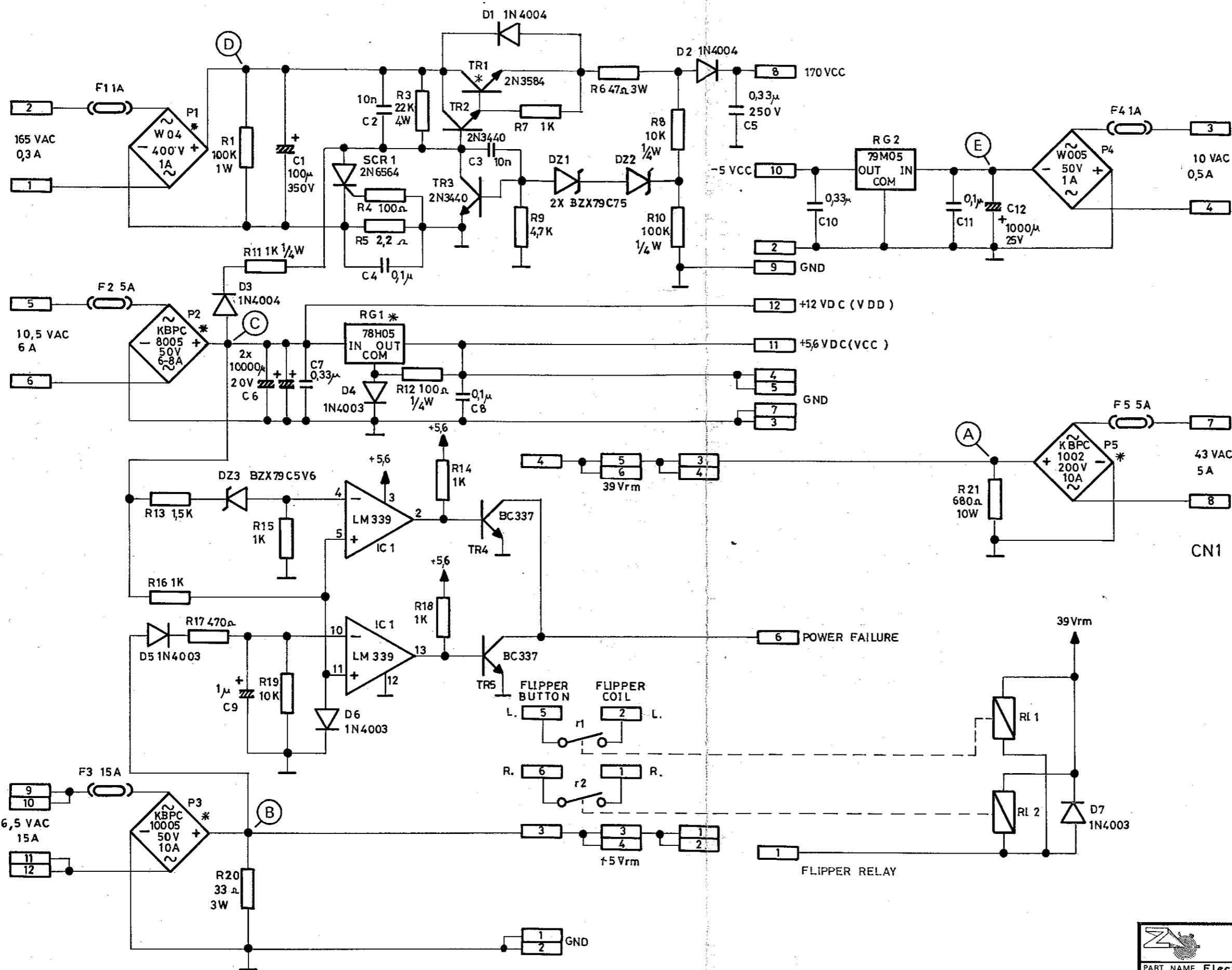


POWER board

PC.1B1167



S.n.c.
 NO (Bo) Italy
 NO.
1366
 IT



CN1

CN2

CN3

CN4

CN5

* WITH HEAT SINK

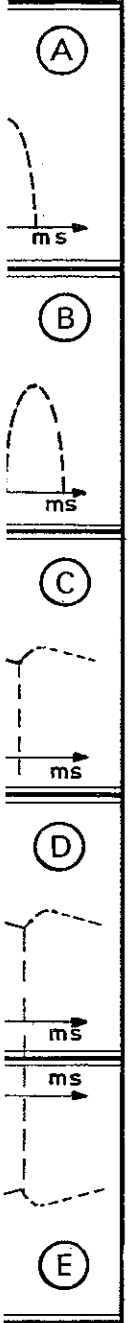
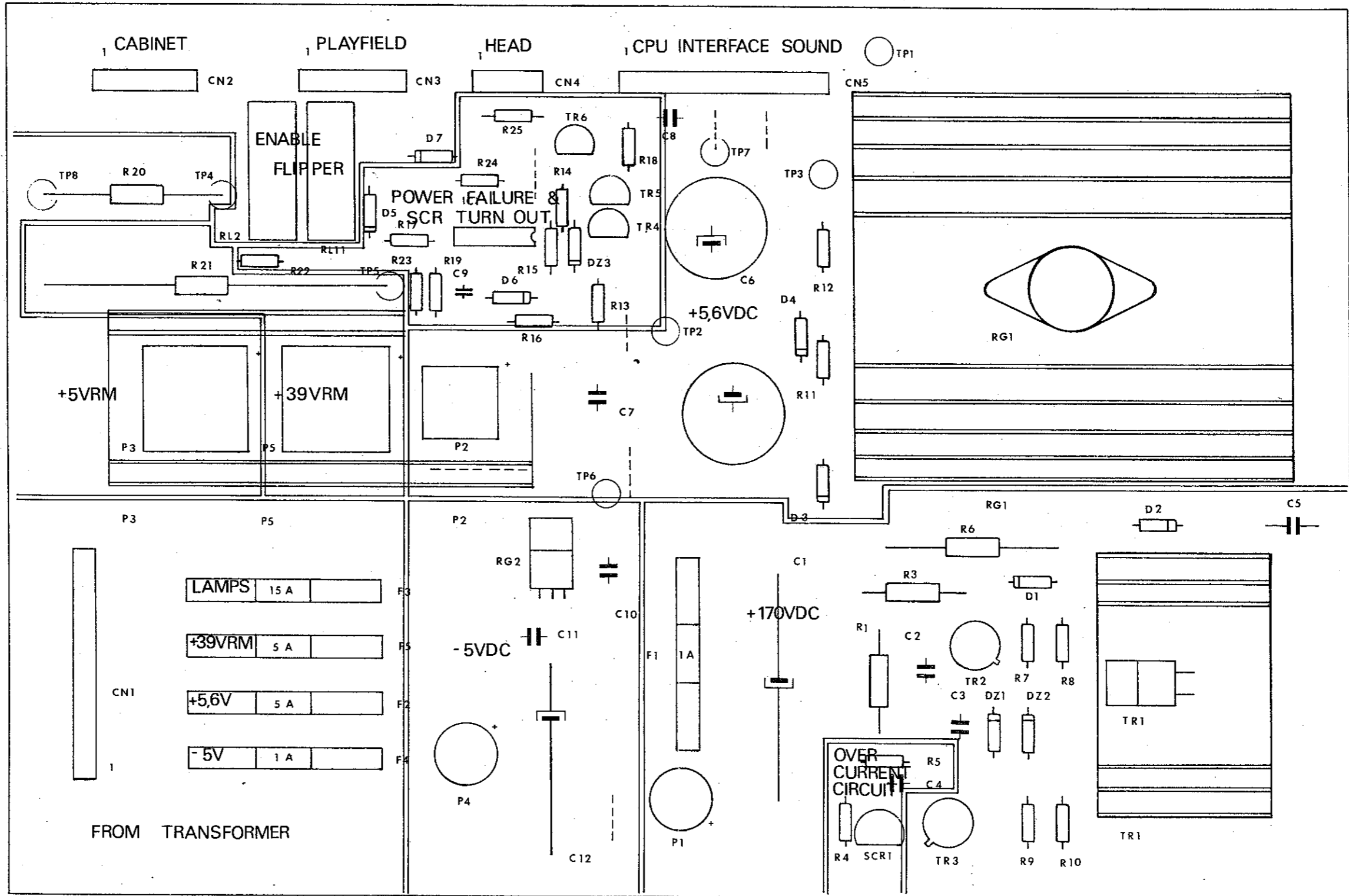
F.LLI ZACCARIA s.n.c.
Via Armaroli, 15 - 40012 CALDERARA DI RENO (Bo) Italy

PART NAME Electrical diagram for		PART NO.	
Power board		1B1367	
DWN. <i>R.Bo</i>	DATE 12-11-81	REV. <i>1/2</i>	DATE REV. 12-11-81
SHEET		SHEET	

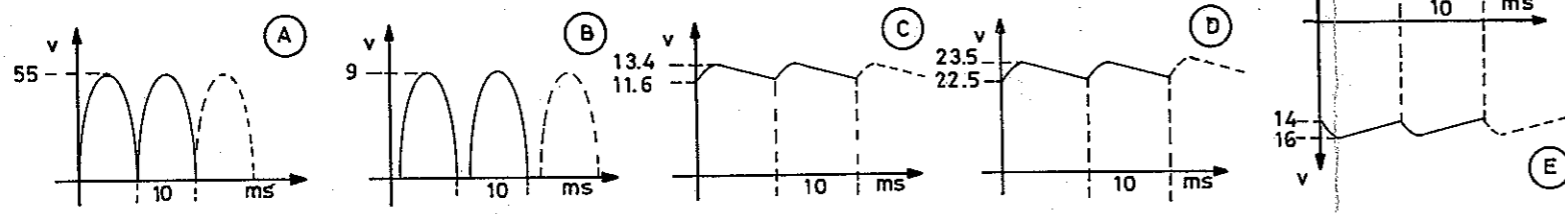
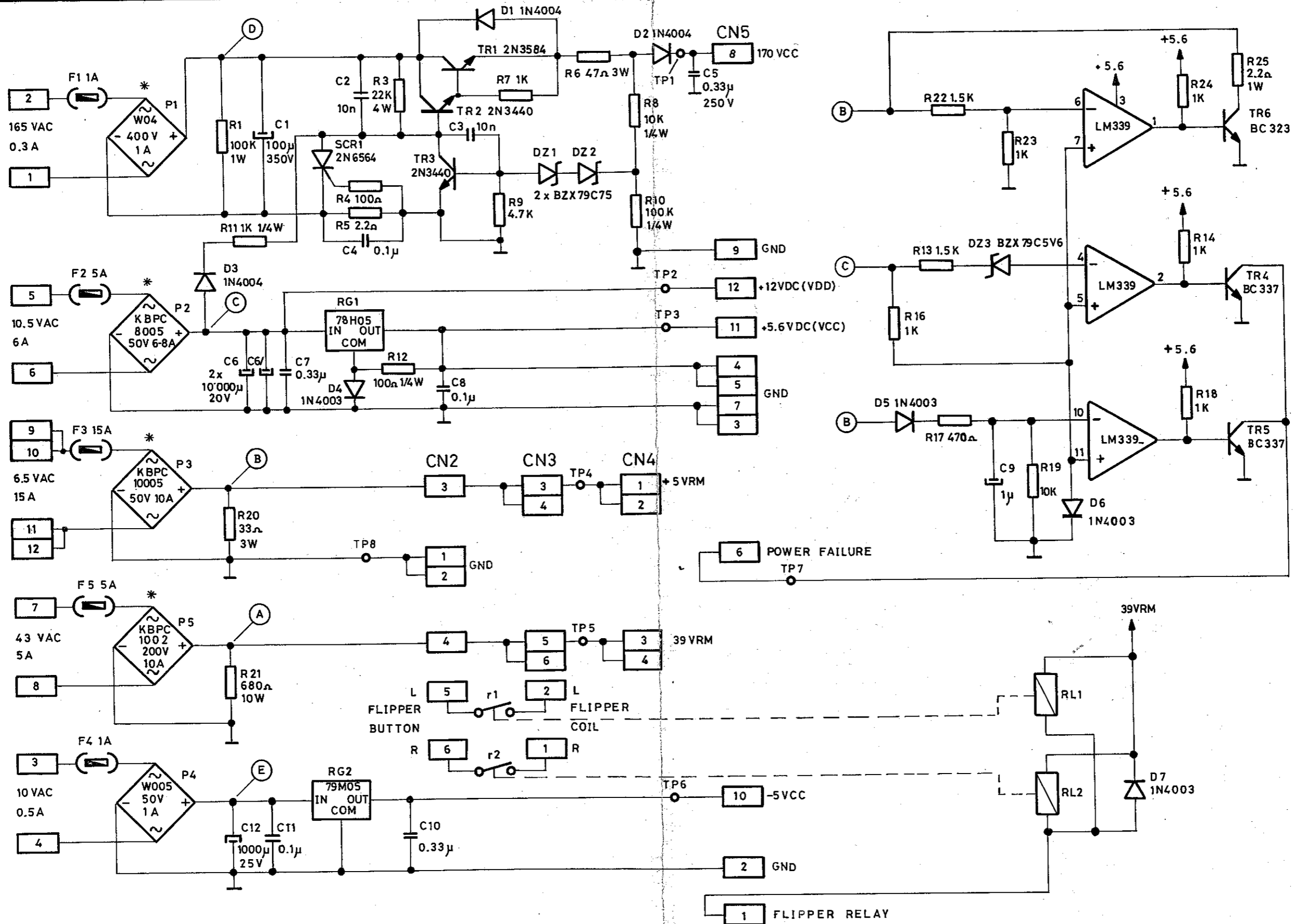
NOTES: UNLESS OTHERWISE SPECIFIED
1) ALL RESISTORS VALUES IN
2) ALL CAPACITORS VALUES IN

POWER board

P.C. 1B1167/0



s.n.c.
 RENO (Bo) Italy
 ART. NO.
 B1367
 FEET



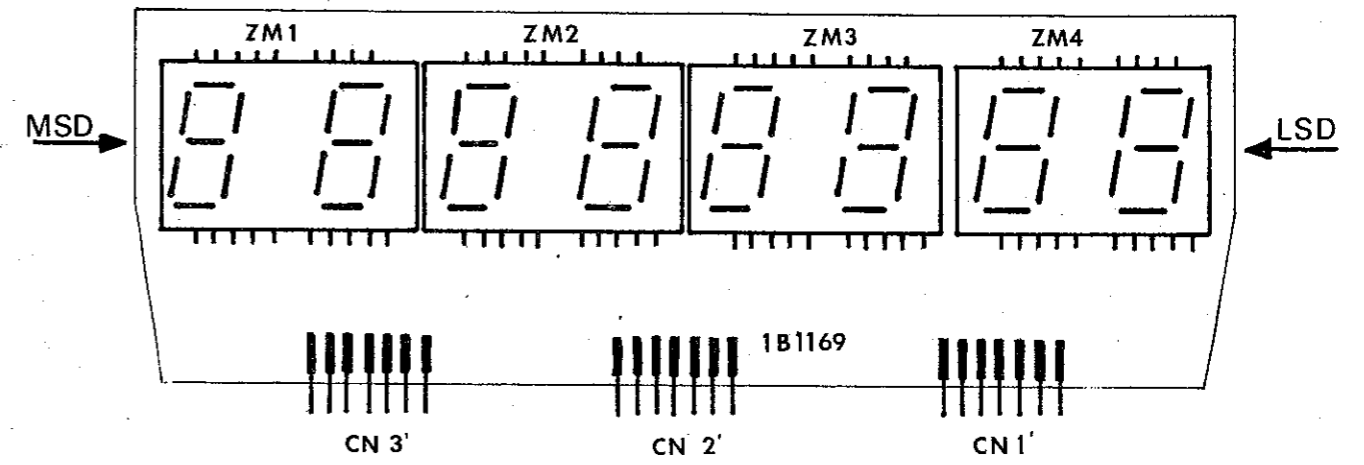
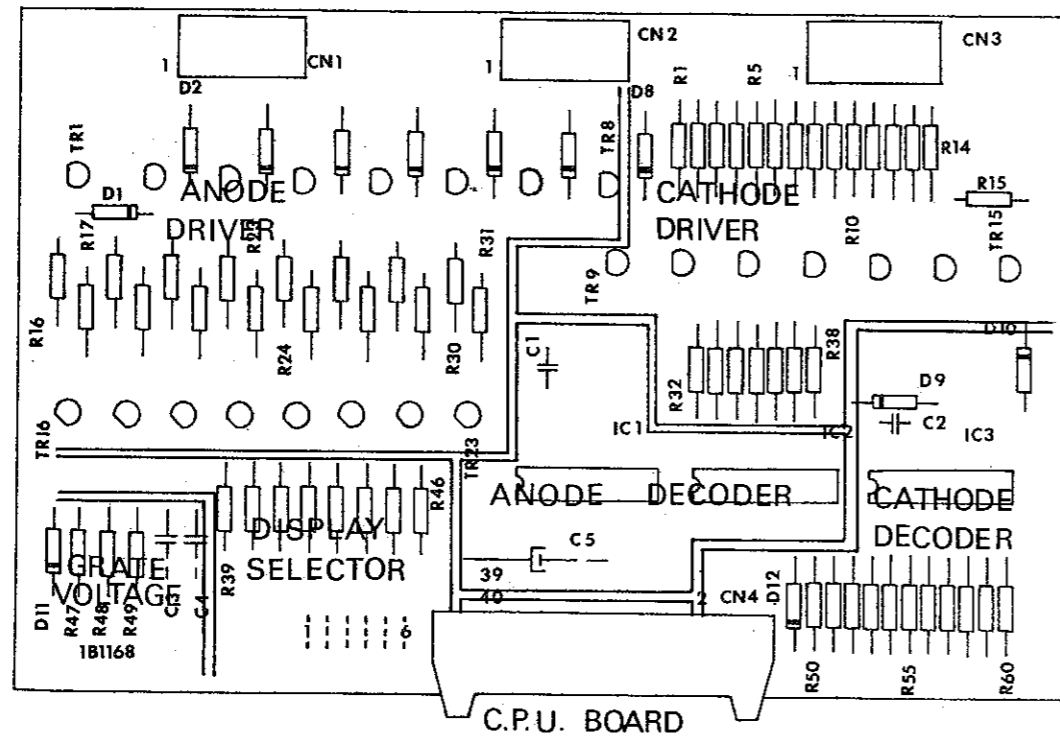
* WITH HEAT SINK

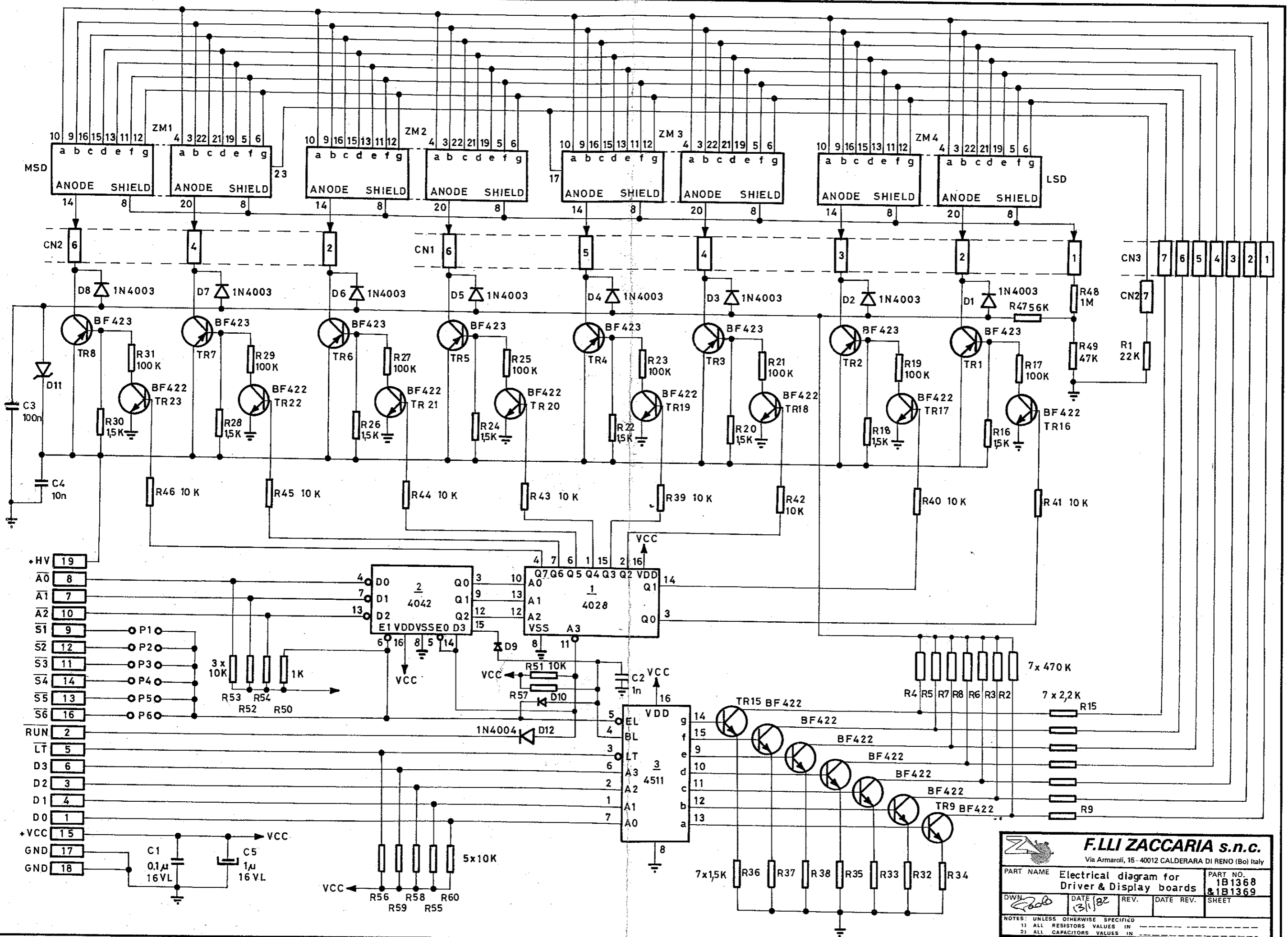
F.LI ZACCARIA s.n.c.
 Via Armaroli, 15 - 40012 CALDERARA DI RENO (Bo) Italy

PART NAME Electrical diagram for POWER BOARD		PART NO. 1B1367/0	
OWN Zaccaria	DATE 26/7/82	REV. G1	DATE REV. 2.8.82
NOTES: UNLESS OTHERWISE SPECIFIED		SHEET	
1) ALL RESISTORS VALUES IN			
2) ALL CAPACITORS VALUES IN			

DRIVER & DISPLAY boards

PC. 1B1168 & PC.1B1169





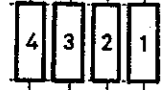
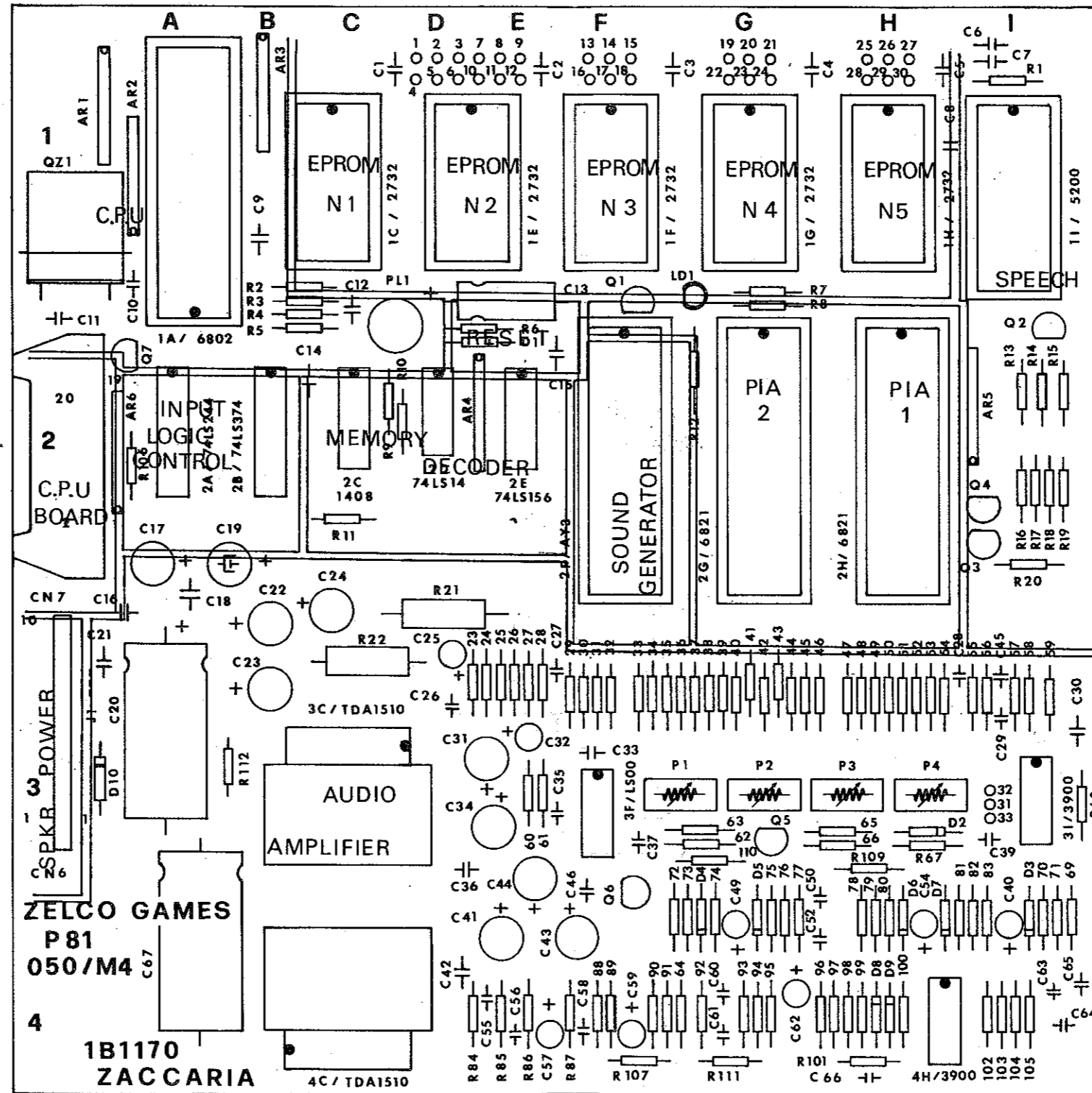
F.LI ZACCARIA s.n.c.
Via Armadori, 15 - 40012 CALDERARA DI RENO (Bo) Italy

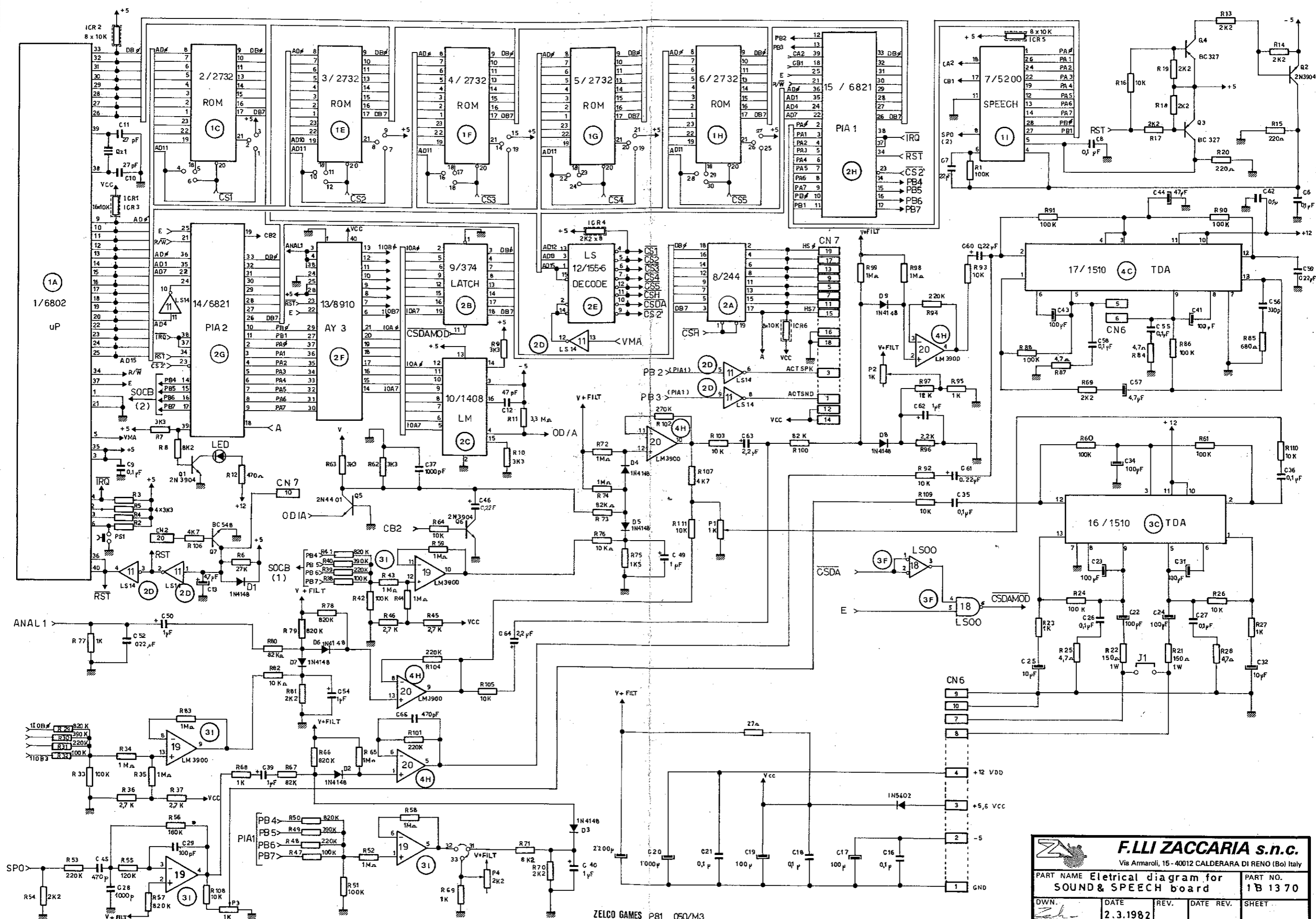
PART NAME		Electrical diagram for	
Driver & Display boards		PART NO.	
		1B1368	
OWN	DATE	REV.	DATE REV.
	3/1/82		
SHEET		1B1369	

NOTES: UNLESS OTHERWISE SPECIFIED
1) ALL RESISTORS VALUES IN
2) ALL CAPACITORS VALUES IN

SOUND & SPEECH board

PC.1 B1170





ZELCO GAMES P81 050/M3

F.LI ZACCARIA s.n.c.
 Via Armadori, 15 - 40012 CALDERARA DI RENO (Bo) Italy

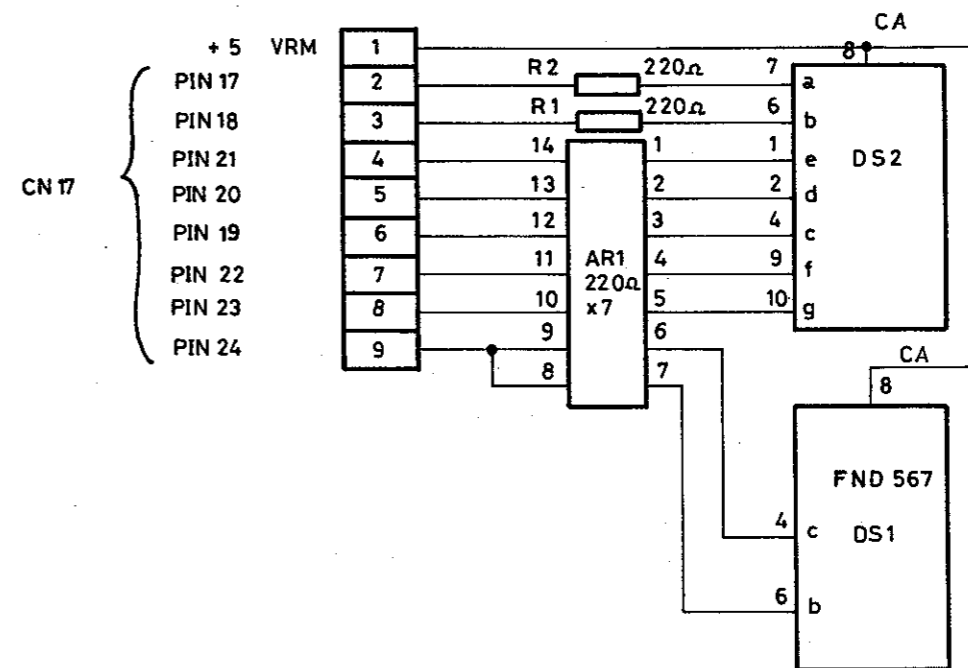
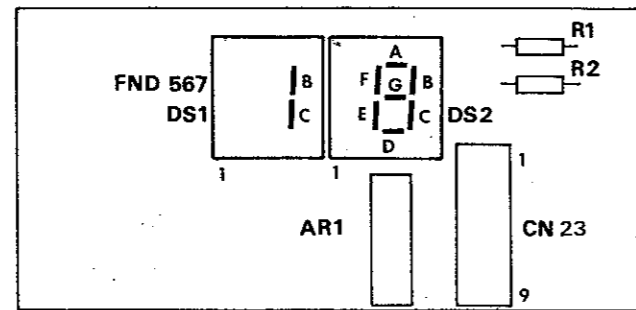
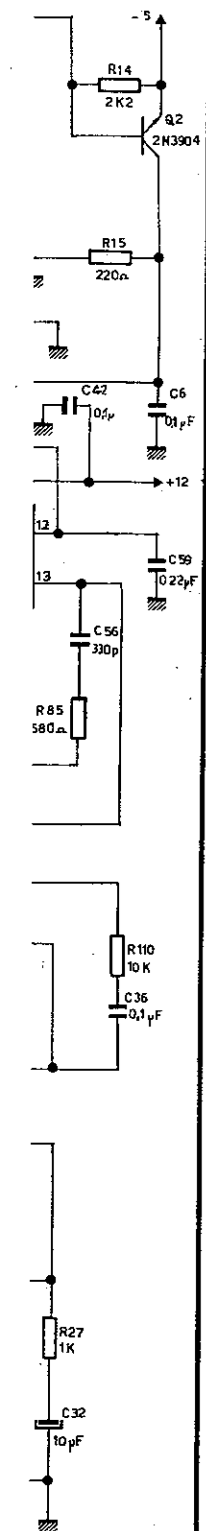
PART NAME		Electrical diagram for		PART NO.	
		SOUND & SPEECH board		1B 1370	
DWN.	DATE	REV.	DATE REV.	SHEET	
	2.3.1982				

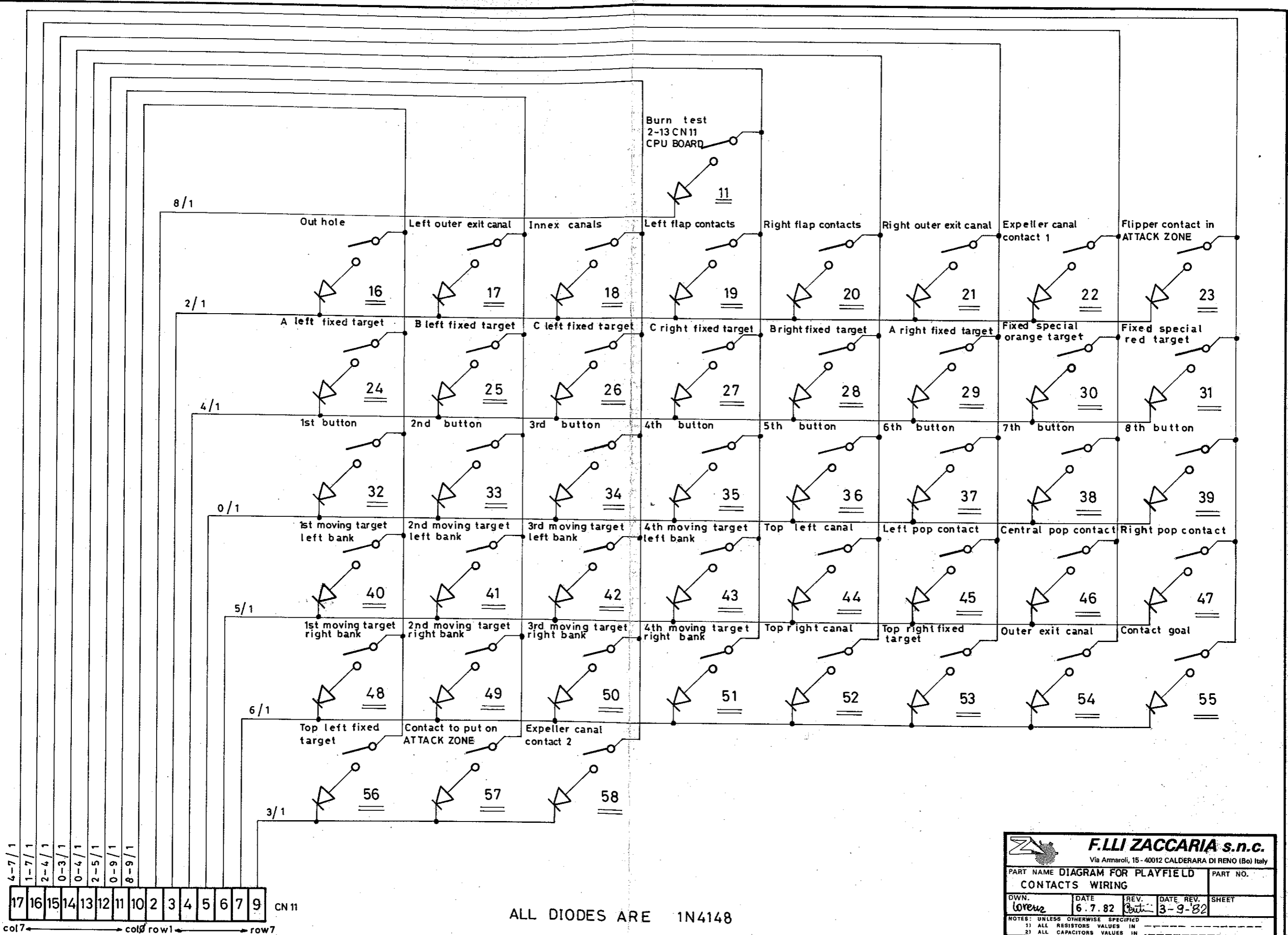
NOTES: UNLESS OTHERWISE SPECIFIED
 1) ALL RESISTORS VALUES IN
 2) ALL CAPACITORS VALUES IN

4-7/1
 1-7/1
 17/1
 col7-

1,1/2 DIGIT DISPLAY board

P.C. 1B11105





ALL DIODES ARE 1N4148

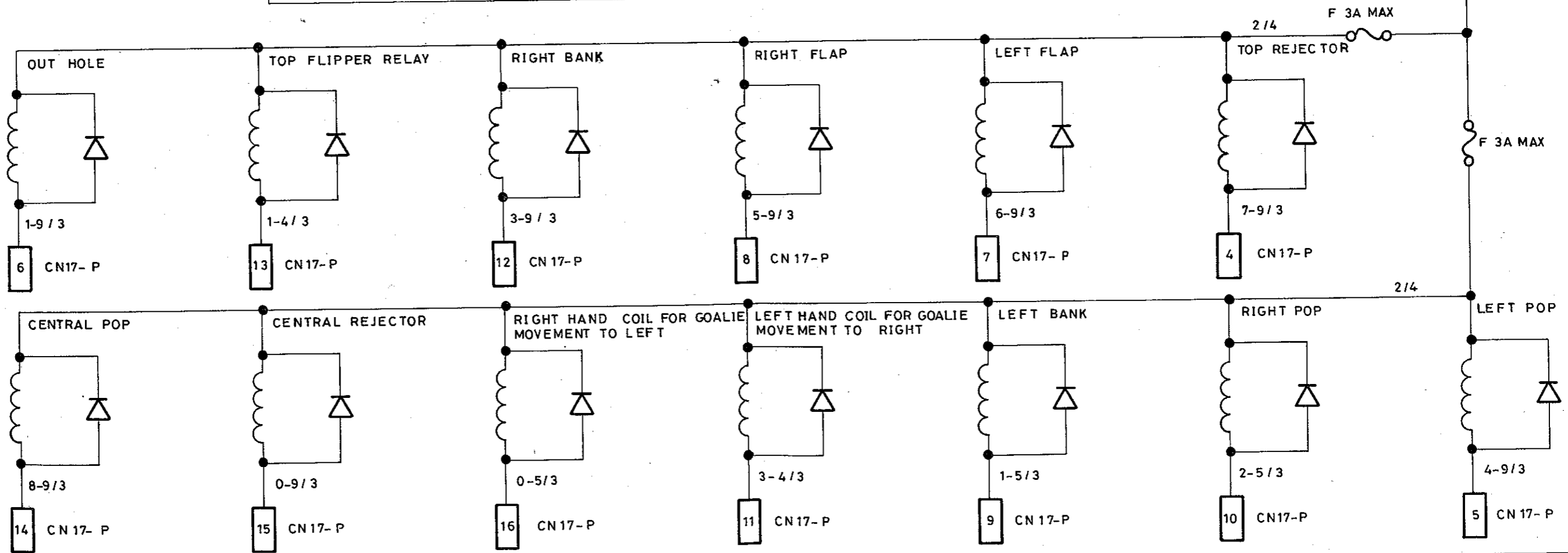
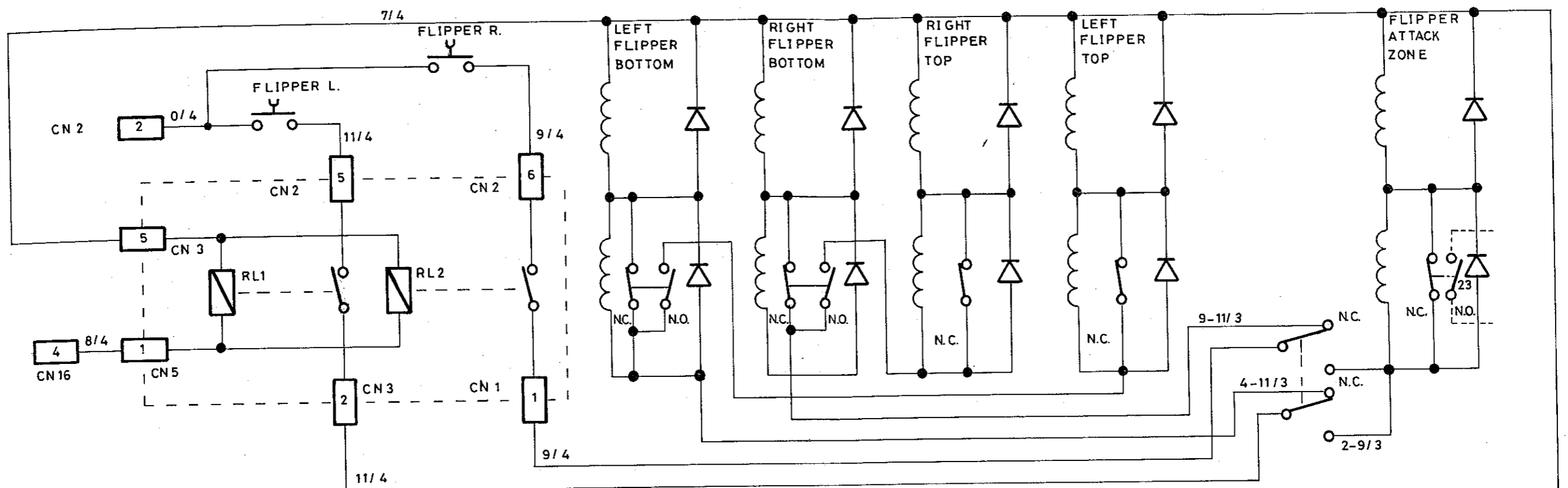
F.LI ZACCARIA s.n.c.
 Via Armadori, 15 - 40012 CALDERARA DI RENO (Bo) Italy

PART NAME DIAGRAM FOR PLAYFIELD CONTACTS WIRING PART NO.

DWN. <i>lorenz</i>	DATE 6.7.82	REV. <i>Cont</i>	DATE REV. 3-9-82	SHEET
--------------------	-------------	------------------	------------------	-------

NOTES: UNLESS OTHERWISE SPECIFIED
 1) ALL RESISTORS VALUES IN _____
 2) ALL CAPACITORS VALUES IN _____

CN 3
 CN 18
 CN 19
 CN 19



ALL DIODES ARE 1N4004

F.LLI ZACCARIA s.n.c.
Via Armadori, 15 - 40012 CALDERARA DI RENO (Bo) Italy

PART NAME		PART NO.	
COIL WIRING			
DWN.	DATE	REV.	DATE REV.
lorenz	31. 8. 82	3	3-9-82
SHEET			

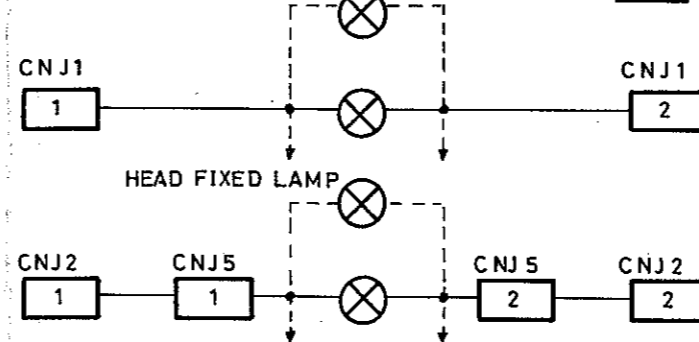
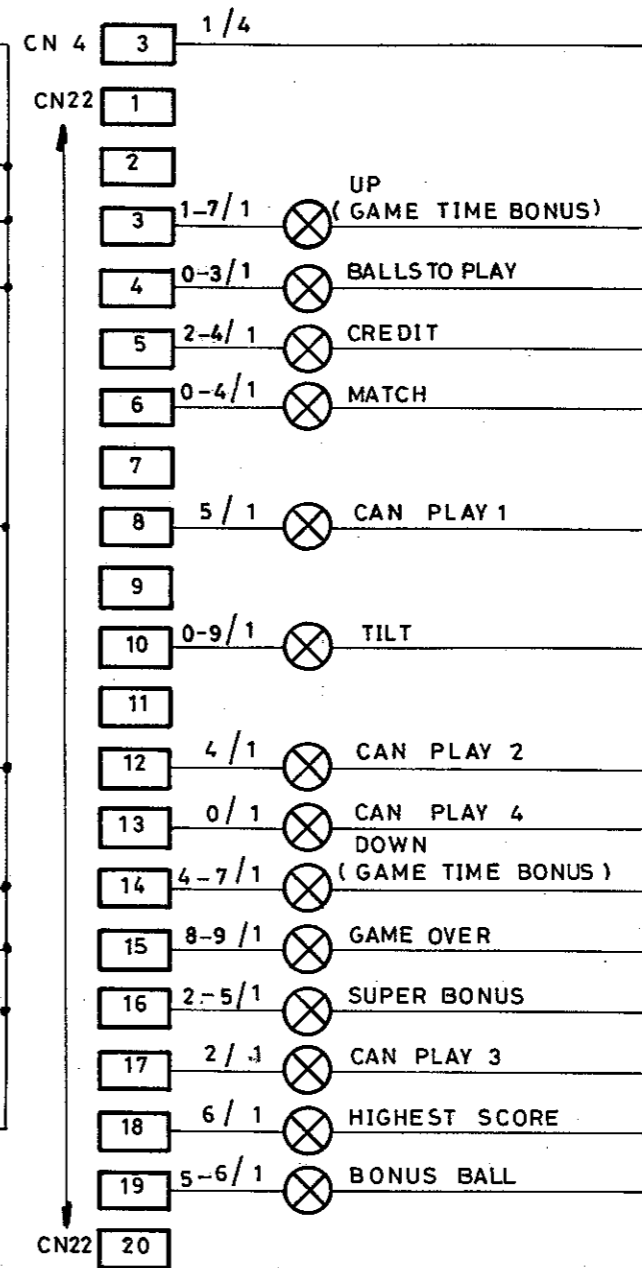
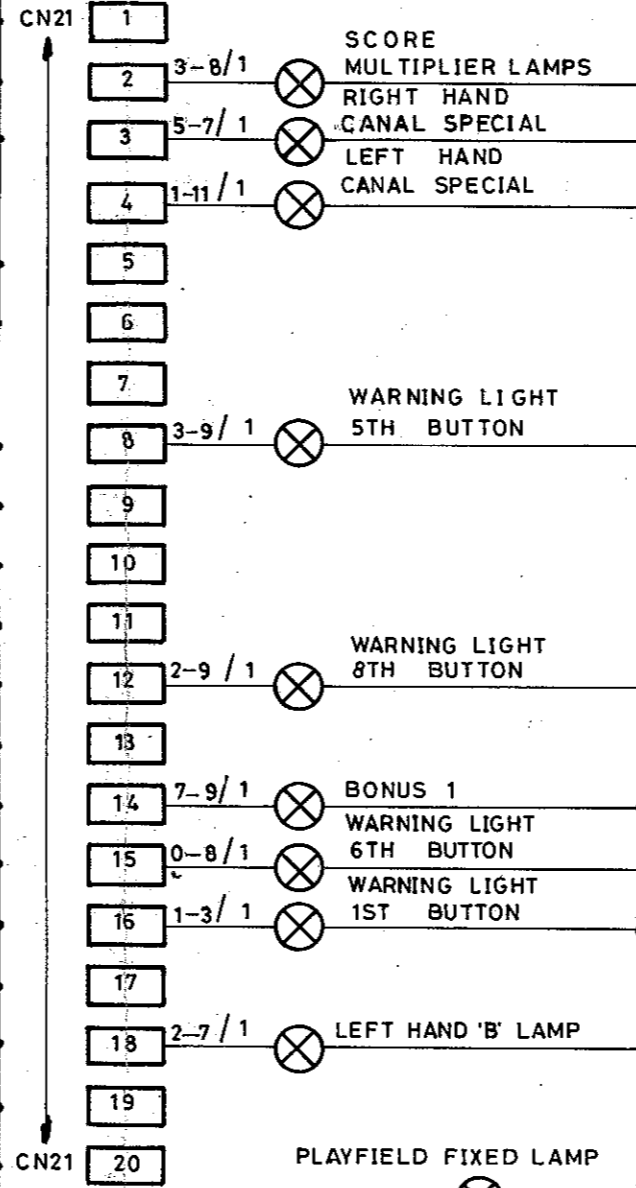
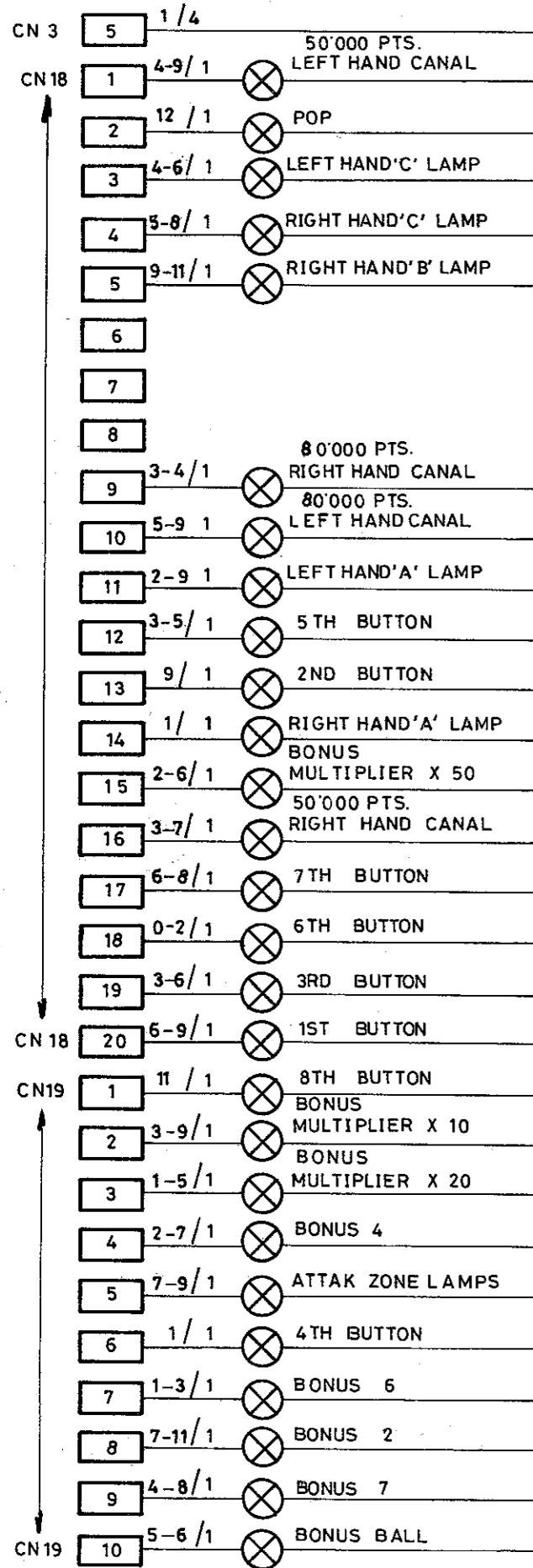
NOTES: UNLESS OTHERWISE SPECIFIED
1) ALL RESISTORS VALUES IN
2) ALL CAPACITORS VALUES IN

F.LLI ZACCARIA s.n.c.
DI RENO (Bo) Italy

PART NO.
SHEET

PLAYFIELD LAMPS

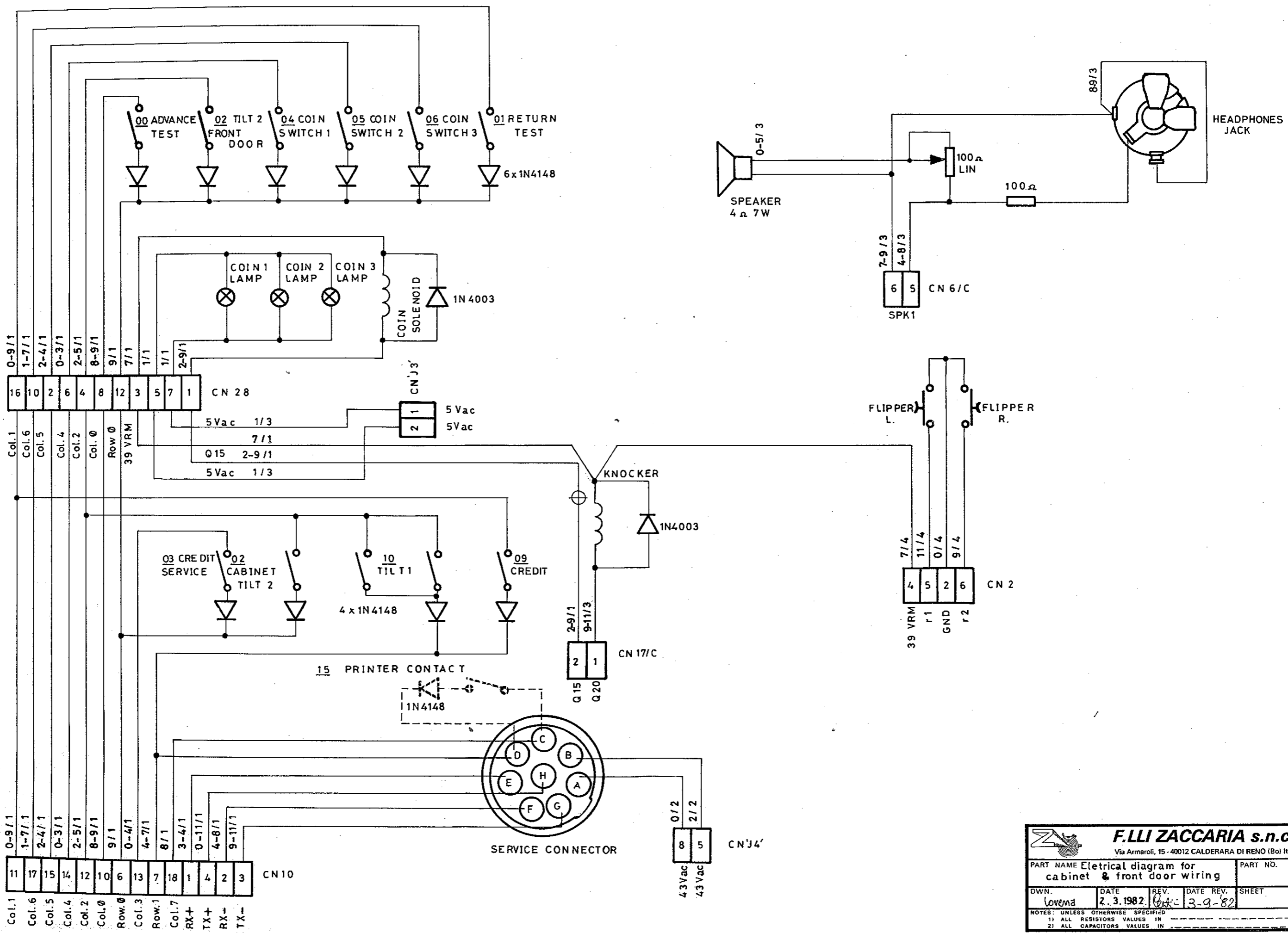
HEAD LAMPS



F.LLI ZACCARIA s.n.c.
Via Armadori, 15 - 40012 CALDERARA DI RENO (Bo) Italy

PART NAME ELECTRICAL DIAGRAM FOR "PLAYFIELD & HEAD LAMPS"		PART NO.	
DWN. <i>Voltra</i>	DATE 13.7.82	REV. <i>Out</i>	DATE REV. 3-9-82
SHEET		SHEET	

NOTES: UNLESS OTHERWISE SPECIFIED
1) ALL RESISTORS VALUES IN _____
2) ALL CAPACITORS VALUES IN _____



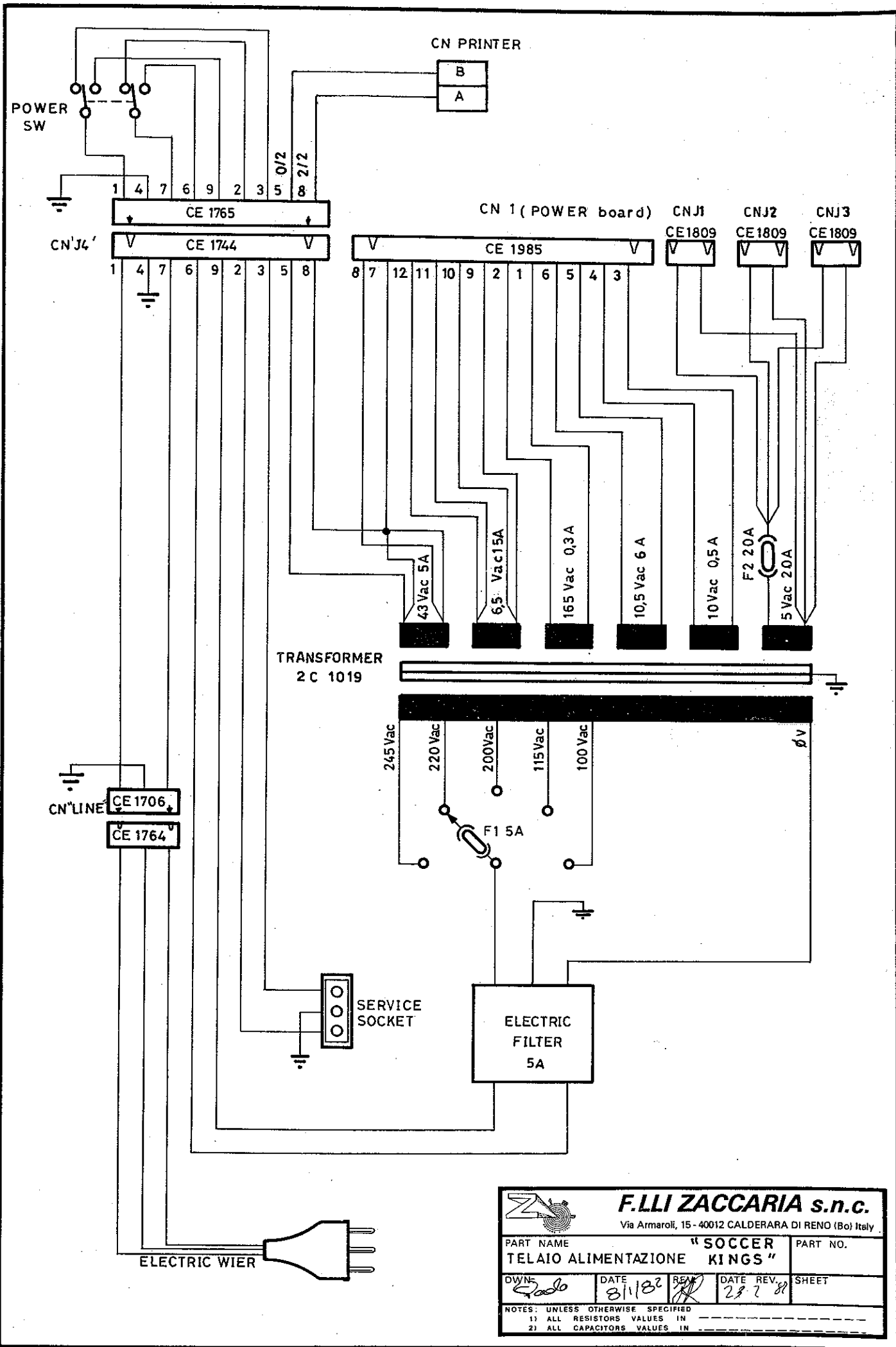
A s.n.c.
 DI RENO (Bo) Italy
 PART NO.
 SHEET

F.LI ZACCARIA s.n.c.
 Via Armeroli, 15 - 40012 CALDERARA DI RENO (Bo) Italy

PART NAME Elettrical diagram for cabinet & front door wiring PART NO.

OWN. *lorena* DATE 2.3.1982 REV. *02* DATE REV. 3-9-82 SHEET

NOTES: UNLESS OTHERWISE SPECIFIED
 1) ALL RESISTORS VALUES IN
 2) ALL CAPACITORS VALUES IN



F.LLI ZACCARIA s.n.c.
Via Armaroli, 15 - 40012 CALDERARA DI RENO (Bo) Italy

PART NAME		"SOCCER KINGS"		PART NO.
TELAIO ALIMENTAZIONE				
OWN: <i>Qado</i>	DATE: 8/1/82	REV: <i>RK</i>	DATE REV: 28/7/81	SHEET

NOTES: UNLESS OTHERWISE SPECIFIED
1) ALL RESISTORS VALUES IN _____
2) ALL CAPACITORS VALUES IN _____